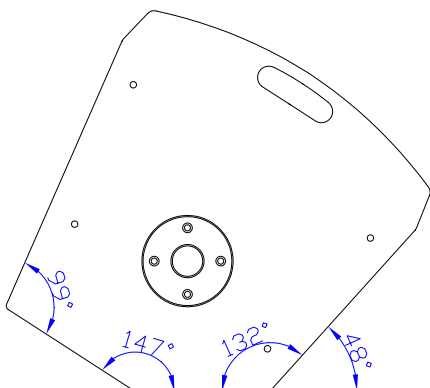
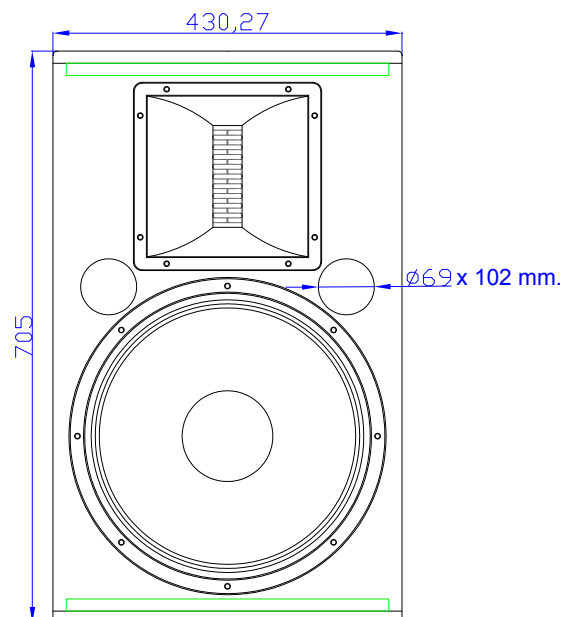
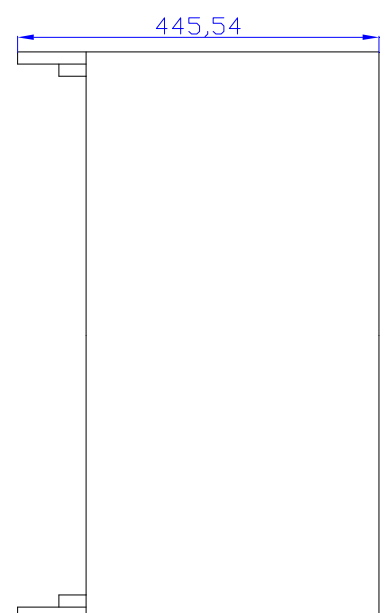
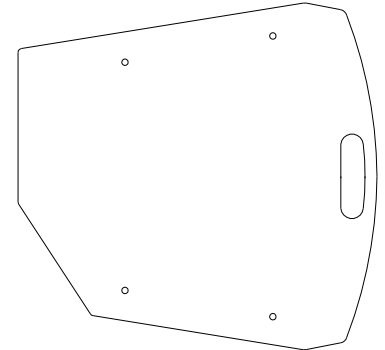
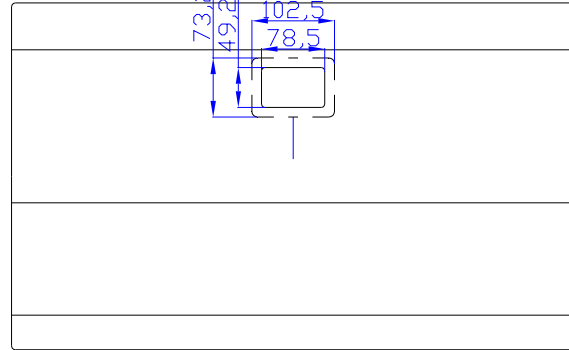
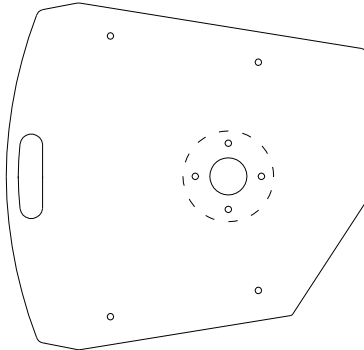


Technical Specifications

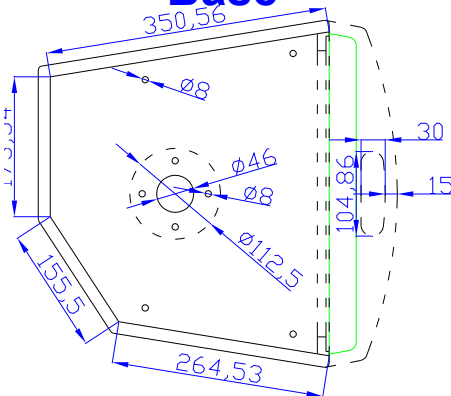
Acoustic cabinet:	FR15A
Description:	2 Way System. 15" and High Frequency unit
Power AES:	800 W.
Power Program:	1.600 W.
Sensitivity 2,83v @ 1m:	100 dB.
Max. SPL continuous:	129 dB.
Max. SPL peak:	135 dB.
Frequency response:	45 - 25.000Hz.
Coverage (H x V):	90° x 40°
Bass Loudspeakers:	15P80ND
Compression Driver:	TPL150
Constant Directivity Horn:	TD TPL
Crossover:	External
Hardware:	External

Base**Front****Lateral**

Rear

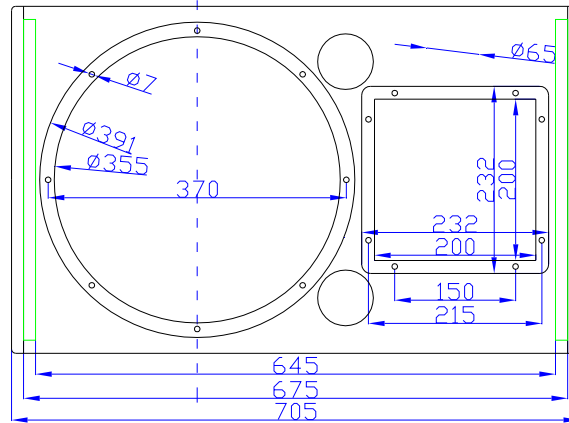


Base

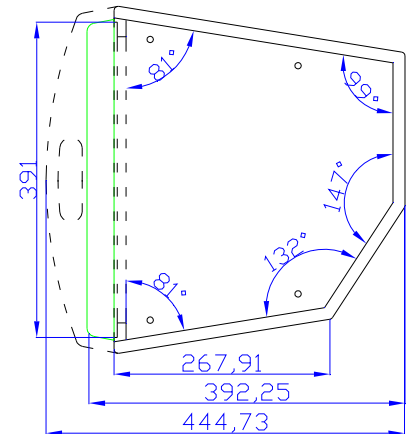


Section

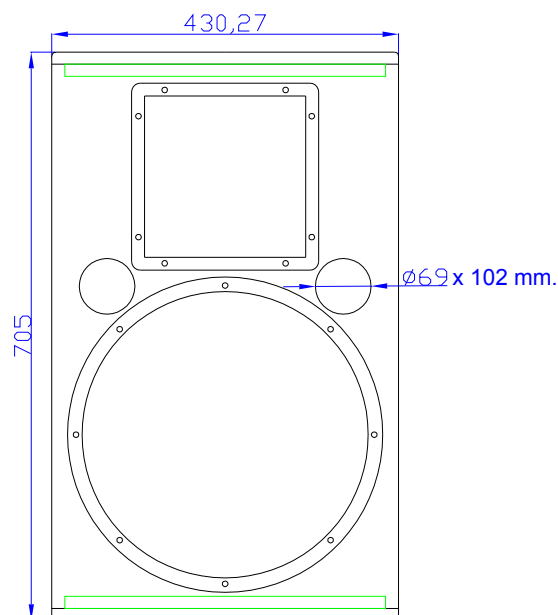
Front



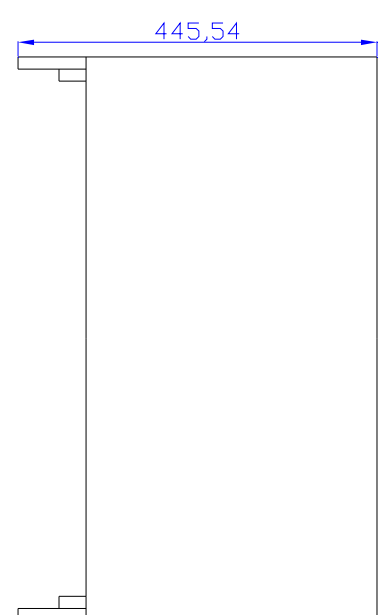
Central



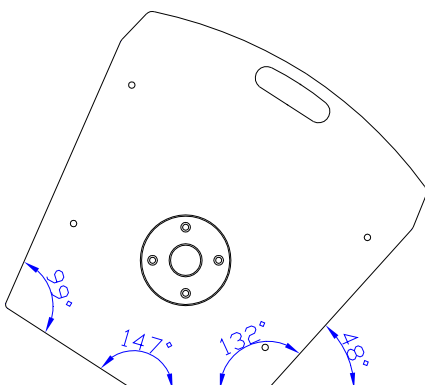
Front



Lateral



Base



15P80Nd

KEY FEATURES

- Real 800 W AES power handling
- Sensitivity: 100 dB @ 2.83V
- 4" Duo Technology voice coil
- Forced air convection circuit for low power compression
- Extended controlled displacement: $X_{max} \pm 7.5$ mm.
- Massive mechanical displacement capability: 52 mm p-p



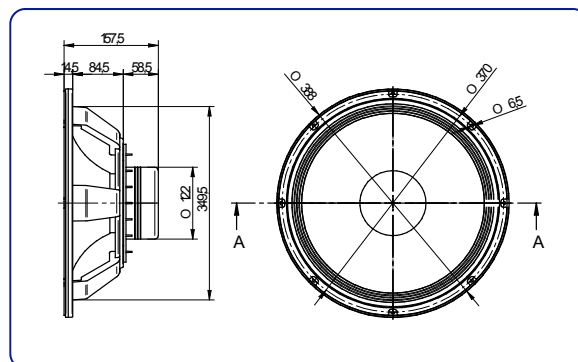
TECHNICAL SPECIFICATIONS

- Nominal diameter 380 mm. 15 in.
- Rated impedance 8 ohms
- Minimum impedance 6.6 ohms
- Power capacity* 800 w AES
- Program power 1600 w
- Sensitivity 100 dB 2.83v @ 1m @ 2π
- Frequency range 30 - 5000 Hz
- Voice coil diameter 100 mm. 4 in.
- Magnetic assembly weight 4.62 kg. 10.16 lb.
- BL factor 23.6 N / A
- Voice coil length 20 mm
- Air gap height 12 mm
- X damage (peak to peak) 52 mm

Notes:

*The power capacity is determined according to AES2-1984 (r2003) standard.
Program power is defined as the transducer's ability to handle normal music program material.

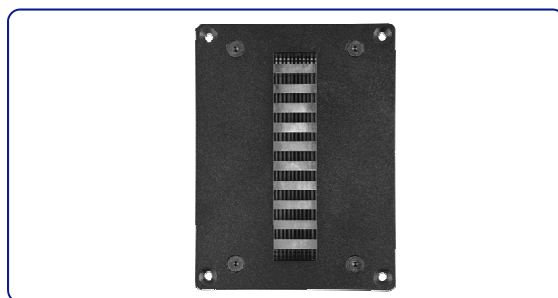
DIMENSION DRAWINGS



TPL-150

KEY FEATURES

- Superior sound reproduction quality
- Extended frequency response (1 - 23 kHz)
- High sensitivity (99 dB)
- Extremely linear frequency response
- Low distortion
- Designed for the high frequencies reproduction



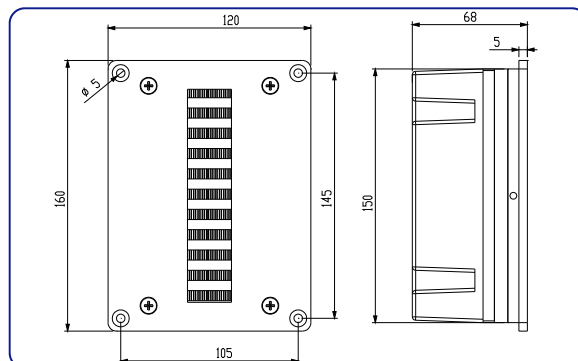
TECHNICAL SPECIFICATIONS

- Rated impedance 8 ohms
- D.C. Resistance 5.9 ohms
- Power capacity* 80 w AES above 1 kHz
- Program power 160 w above 1 kHz
- Sensitivity** 99 dB 1w @ 1m
- Frequency range 1- 23000 Hz
- Voice coil diameter 100 mm. 4 in.
- Recommended Crossover 1 kHz or higher (12 dB/oct. min.)
- Net weight 2.18 kg. 4.8 lb.

Notes:

*The power capacity is determined according to AES2-1984 (r2003) standard.
Program power is defined as the transducer's ability to handle normal music program material.
**Sensitivity was measured at 1 m distance, on axis, with 1 w input, averaged in the range 2.5 - 20 kHz.

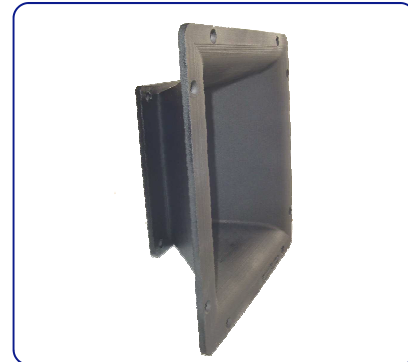
DIMENSION DRAWINGS



TD-TPL

KEY FEATURES

- Designed to be used with TPL-150 tweeter
- Coverage angles of 80° in the horizontal plane and 30° in the vertical plane
- Precise directivity control in the pass band
- Cast aluminium construction



TECHNICAL SPECIFICATIONS

- Throat dimensions (WxH) 12 x 208 mm. 0.47 x 8.19 in.
- Horizontal beamwidth 80° (+9°, -20°)
(-6 dB, 1.2 - 16 kHz)
- Vertical beamwidth 30° (+27°, -21°)
(-6 dB, 2 - 16 kHz)
- Directivity factor (Q) 27 (average 1.2 - 16 kHz)
- Directivity index (DI) 13 dB (+6 dB, -4.5 dB)
- Cutoff frequency 800 Hz
- Dimensions (WxHxD) 230x230x85 mm.
9.05x9.05x3.35 in.
- Cutout dimensions (WxH) 195x195 mm.
7.68x7.68 in.
- Net weight 1.5 kg. 3.3 lb.
- Construction Cast aluminium.
Connection of driver by four screws on a 5 mm diameter bolt circle.

DIMENSION DRAWINGS

