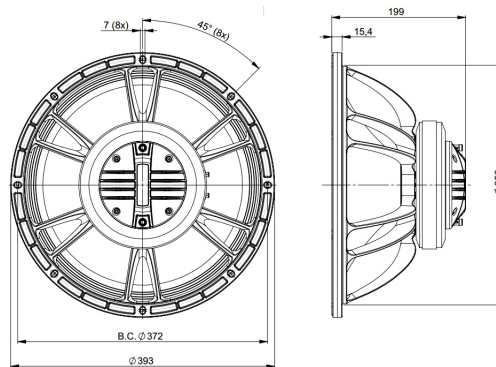


# 15FCX76

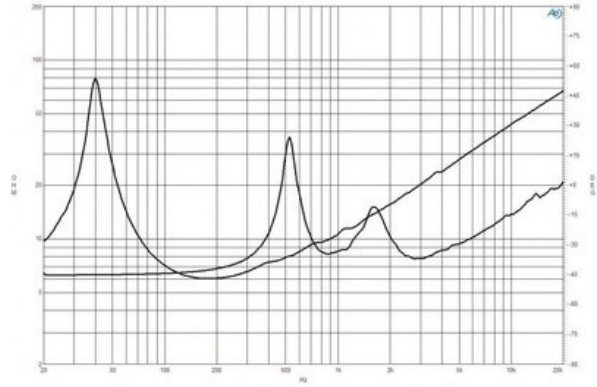
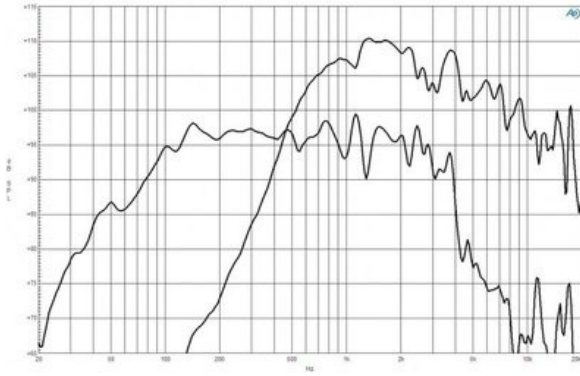
**8Ω****Coaxials - 15.0 Inches**

- 800 W continuous program power capacity
- 80° nominal coverage
- 40 - 18000 Hz response
- 98 dB sensitivity
- 50.5 mm (2") HF unit exit diameter



# 15FCX76

Coaxials- 15.0 Inches



## SPECIFICATIONS

Nominal Diameter	380 mm (15.0 in)
Nominal Impedance	8 Ω
Minimum Impedance LF	6.0 Ω
Minimum Impedance HF	7.8 Ω
Frequency Range	40 - 18000 Hz
Dispersion Angle <sup>1</sup>	80 °
Magnet Material	Ceramic

## SPECIFICATIONS LF UNIT

LF Sensitivity <sup>2</sup>	98.0 dB
LF Nominal Power Handling <sup>3</sup>	400 W
LF Continuous Power Handling <sup>4</sup>	800 W
LF Voice Coil Diameter	76 mm (3.0 in)
LF Winding Material	Copper
LF Flux Density	1.0 T
Former Material	Glass Fibre
Winding Depth	16.5 mm (0.65 in)
Magnetic Gap Depth	8.0 mm (0.31 in)

## SPECIFICATIONS HF UNIT

HF Sensitivity <sup>5</sup>	105.0 dB
HF Nominal Power Handling <sup>6</sup>	80 W
HF Continuous Power Handling <sup>7</sup>	160 W
HF Voice Coil Diameter	75 mm (3.0 in)
HF Winding Material	Aluminium
HF Flux Density	1.9 T
Diaphragm Material	Titanium
Recommended Crossover <sup>8</sup>	1.2 kHz
Inductance	0.14 mH

## PARAMETERS

Resonance Frequency	40 Hz
Re	5.2 Ω
Qes	0.47
Qms	8.3
Qts	0.44
Vas	187.0 dm <sup>3</sup> (6.6 ft <sup>3</sup> )
Sd	855.0 cm <sup>2</sup> (132.5 in <sup>2</sup> )
η <sub>o</sub>	2.5 %
X <sub>max</sub>	6.5 mm
X <sub>var</sub>	7.5 mm
M <sub>ms</sub>	87.0 g
Bl	15.6 Txm
Le	1.2 mH
EBP	85 Hz

## MOUNTING AND SHIPPING INFO

Overall Diameter	393 mm (15.5 in)
Bolt Circle Diameter	374 mm (16.7 in)
Baffle Cutout Diameter	353 mm (13.9 in)
Depth	199 mm (7.83 in)
Flange and Gasket Thickness	16 mm (0.62 in)
Net Weight	9.0 kg (19.8 lb)
Shipping Units	1
Shipping Weight	10.6 kg (23.37 lb)
Shipping Box	500x495x275 mm (19.69x19.49x10.83 in)

## SERVICE KIT

Service Kit LF	RCK15FCX768
Replacement diaphragm	MMD3BTN8M

1. Included by -6 dB down points.
2. Applied RMS Voltage is set to 2.83V.
3. 2 hours test made with continuous pink noise signal within the range Fs-10Fs. Power calculated on rated nominal impedance. Loudspeaker in free air.
4. Power on Continuous Program is defined as 3 dB greater than the Nominal rating.
5. Applied RMS Voltage is set to 2.83V.
6. 2 hour test made with continuous pink noise signal within the range from the recommended crossover frequency to 20 kHz. Power calculated on rated nominal impedance. Loudspeaker in free air.
7. Power on Continuous Program is defined as 3 dB greater than the Nominal rating.
8. 12 dB/oct. or higher slope high-pass filter.

**B&C Speakers s.p.a.**

Via Poggiomoro, 1 - Loc. Vallina, 50012 Bagno a Ripoli (FI) - ITALY - Tel. +39 055 65721 - Fax +39 055 6572312 - mail@bcspeakers.com