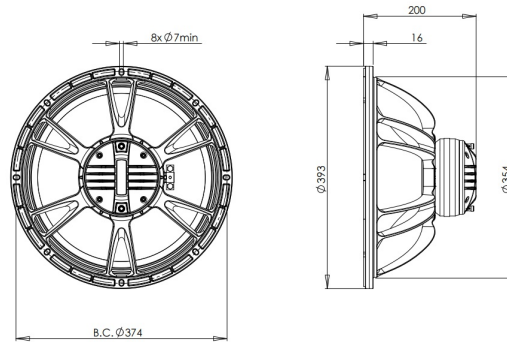


15HCX76

8Ω

Coaxials - 15.0 Inches

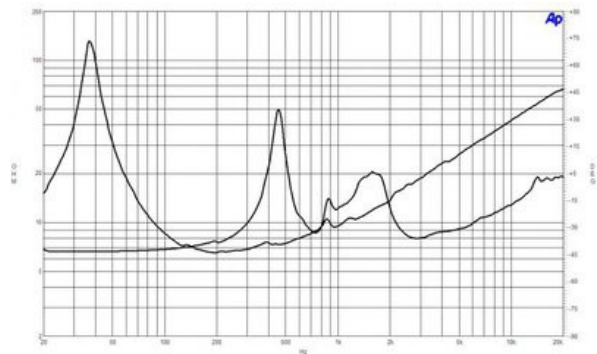
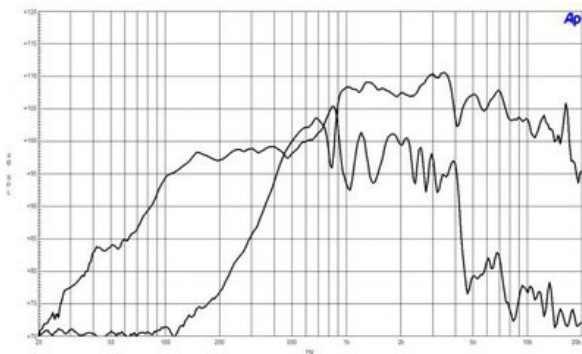


- 99 dB sensitivity
- Single Neodymium magnet assembly
- 800 W continuous program power capacity
- 60°x40° nominal coverage
- 40 - 18000 Hz response
- Modified exponential horn flare for improved acoustic loading and controlled coverage
- 33 mm (1.3") HF unit exit diameter



15HCX76

Coaxials- 15.0 Inches



SPECIFICATIONS

| | |
|-------------------------------|------------------|
| Nominal Diameter | 380 mm (15.0 in) |
| Nominal Impedance | 8 Ω |
| Minimum Impedance LF | 6.0 Ω |
| Minimum Impedance HF | 8.0 Ω |
| Frequency Range | 40 - 18000 Hz |
| Dispersion Angle ¹ | 60x40 ° |
| Magnet Material | Neodymium Ring |

SPECIFICATIONS LF UNIT

| | |
|---|-------------------|
| LF Sensitivity ² | 99.0 dB |
| LF Nominal Power Handling ³ | 400 W |
| LF Continuous Power Handling ⁴ | 800 W |
| LF Voice Coil Diameter | 76 mm (3.0 in) |
| LF Winding Material | Copper |
| LF Flux Density | 1.15 T |
| Former Material | Glass Fibre |
| Winding Depth | 16.5 mm (0.65 in) |
| Magnetic Gap Depth | 8.0 mm (0.31 in) |

SPECIFICATIONS HF UNIT

| | |
|---|----------------|
| HF Sensitivity ⁵ | 107.0 dB |
| HF Nominal Power Handling ⁶ | 80 W |
| HF Continuous Power Handling ⁷ | 160 W |
| HF Voice Coil Diameter | 75 mm (3.0 in) |
| HF Winding Material | Aluminium |
| HF Flux Density | 1.9 T |
| Diaphragm Material | Titanium |
| Recommended Crossover ⁸ | 1.2 kHz |
| Inductance | 0.14 mH |

PARAMETERS

| | |
|---------------------|--|
| Resonance Frequency | 38 Hz |
| Re | 5.1 Ω |
| Qes | 0.3 |
| Qms | 5.8 |
| Qts | 0.28 |
| Vas | 246.0 dm ³ (8.6 ft ³) |
| Sd | 855.0 cm ² (132.5 in ²) |
| η_o | 3.7 % |
| Xmax | 4.5 mm |
| Xvar | 6.0 mm |
| Mms | 82.0 g |
| Bl | 17.8 Txm |
| Le | 0.9 mH |
| EBP | 126 Hz |

MOUNTING AND SHIPPING INFO

| | |
|-----------------------------|---------------------------------------|
| Overall Diameter | 393 mm (15.5 in) |
| Bolt Circle Diameter | 374 mm (14.7 in) |
| Baffle Cutout Diameter | 354 mm (13.94 in) |
| Depth | 200 mm (7.87 in) |
| Flange and Gasket Thickness | 16 mm (0.62 in) |
| Net Weight | 5.6 kg (12.3 lb) |
| Shipping Units | 1 |
| Shipping Weight | 7.2 kg (15.87 lb) |
| Shipping Box | 500x495x275 mm (19.69x19.49x10.83 in) |

SERVICE KIT

| | |
|-----------------------|-------------|
| Service Kit LF | RCK15HCX768 |
| Replacement diaphragm | MMD3BTN8M |

1. Included by -6 dB down points.
2. Applied RMS Voltage is set to 2.83V.
3. 2 hours test made with continuous pink noise signal within the range Fs-10Fs. Power calculated on rated nominal impedance. Loudspeaker in free air.
4. Power on Continuous Program is defined as 3 dB greater than the Nominal rating.
5. Applied RMS Voltage is set to 2.83V.
6. 2 hour test made with continuous pink noise signal within the range from the recommended crossover frequency to 20 kHz. Power calculated on rated nominal impedance. Loudspeaker in free air.
7. Power on Continuous Program is defined as 3 dB greater than the Nominal rating.
8. 12 dB/oct. or higher slope high-pass filter.

B&C Speakers s.p.a.

Via Poggiomoro, 1 - Loc. Vallina, 50012 Bagno a Ripoli (FI) - ITALY - Tel. +39 055 65721 - Fax +39 055 6572312 - mail@bcspeakers.com