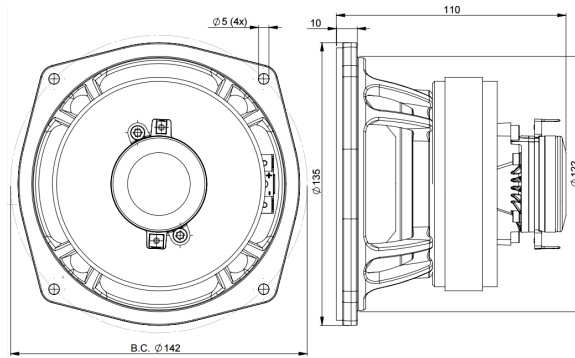


5FCX44

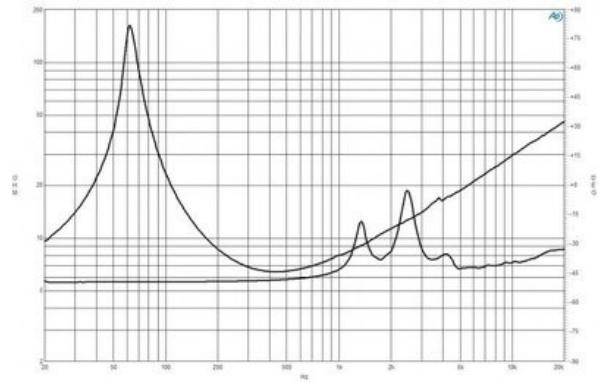
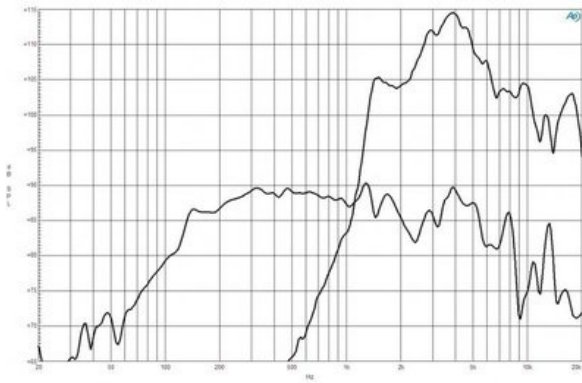
8Ω**Coaxials - 5.0 Inches**

- 200 W continuous program power capacity
- 70° nominal coverage
- 60 - 18000 Hz response
- 91 dB sensitivity
- 19 mm (3/4") HF unit exit diameter



5FCX44

Coaxials- 5.0 Inches



SPECIFICATIONS

| | |
|-------------------------------|----------------------------------|
| Nominal Diameter | 127 mm (5.0 in) |
| Nominal Impedance | 8 Ω |
| Minimum Impedance LF | 6.5 Ω |
| Minimum Impedance HF | 6.5 Ω |
| Frequency Range | 60 - 18000 Hz |
| Dispersion Angle ¹ | 70 ° |
| Magnet Material | Ceramic (LF) - Neodym. Ring (HF) |

PARAMETERS

| | |
|---------------------|--|
| Resonance Frequency | 61 Hz |
| Re | 5.6 Ω |
| Qes | 0.25 |
| Qms | 7.8 |
| Qts | 0.25 |
| Vas | 7.0 dm ³ (0.25 ft ³) |
| Sd | 95.0 cm ² (14.7 in ²) |
| η_o | 0.6 % |
| Xmax | 3.0 mm |
| Xvar | 5.0 mm |
| Mms | 12.0 g |
| Bl | 10.5 Txm |
| Le | 0.8 mH |
| EBP | 244 Hz |

SPECIFICATIONS LF UNIT

| | |
|---|------------------|
| LF Sensitivity ² | 91.0 dB |
| LF Nominal Power Handling ³ | 100 W |
| LF Continuous Power Handling ⁴ | 200 W |
| LF Voice Coil Diameter | 44 mm (1.7 in) |
| LF Winding Material | Copper |
| LF Flux Density | 1.07 T |
| Former Material | Kapton |
| Winding Depth | 9.0 mm (0.35 in) |
| Magnetic Gap Depth | 6.0 mm (0.24 in) |

MOUNTING AND SHIPPING INFO

| | |
|-----------------------------|--------------------------------------|
| Overall Diameter | 136 mm (5.35 in) |
| Bolt Circle Diameter | 142 mm (5.6 in) |
| Baffle Cutout Diameter | 122 mm (4.8 in) |
| Depth | 110 mm (4.33 in) |
| Flange and Gasket Thickness | 8 mm (0.31 in) |
| Net Weight | 1.85 kg (4.1 lb) |
| Shipping Units | 1 |
| Shipping Weight | 2.3 kg (5.07 lb) |
| Shipping Box | 255x255x150 mm (10.04x10.04x5.91 in) |

SPECIFICATIONS HF UNIT

| | |
|---|----------------|
| HF Sensitivity ⁵ | 107.5 dB |
| HF Nominal Power Handling ⁶ | 10 W |
| HF Continuous Power Handling ⁷ | 20 W |
| HF Voice Coil Diameter | 25 mm (1.0 in) |
| HF Winding Material | Aluminium |
| HF Flux Density | 1.65 T |
| Diaphragm Material | Polyester |
| Recommended Crossover ⁸ | 2.5 kHz |
| Inductance | 0.1 mH |

SERVICE KIT

| | |
|-----------------------|--------------|
| Service Kit LF | RCK005FCX448 |
| Replacement diaphragm | MMDDE58 |

1. Included by -6 dB down points.
2. Applied RMS Voltage is set to 2.83V.
3. 2 hours test made with continuous pink noise signal within the range Fs-10Fs. Power calculated on rated nominal impedance. Loudspeaker in free air.
4. Power on Continuous Program is defined as 3 dB greater than the Nominal rating.
5. Applied RMS Voltage is set to 2.83V.
6. 2 hour test made with continuous pink noise signal within the range from the recommended crossover frequency to 20 kHz. Power calculated on rated nominal impedance. Loudspeaker in free air.
7. Power on Continuous Program is defined as 3 dB greater than the Nominal rating.
8. 12 dB/oct. or higher slope high-pass filter.