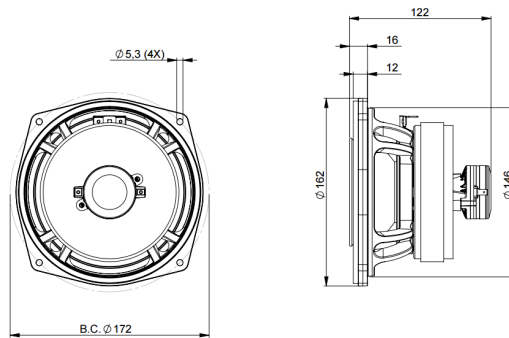


# 6FHX51

**8Ω**

Coaxials - 6.5 Inches

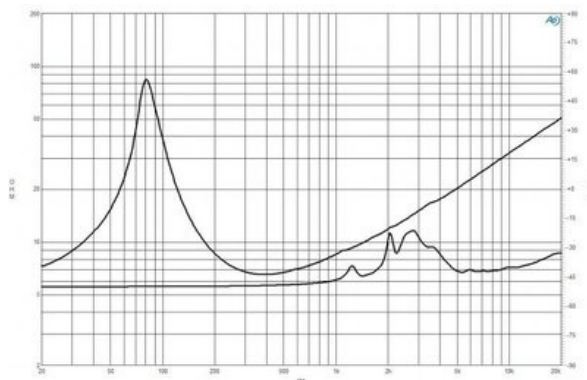
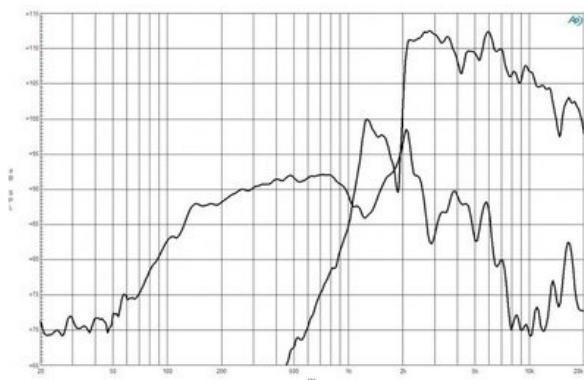


- 300 W continuous program power capacity
- 70° nominal coverage
- 85 - 18000 Hz response
- 93 dB sensitivity
- 20.1 mm (0.79") HF unit exit diameter



# 6FHX51

Coaxials- 6.5 Inches



## SPECIFICATIONS

Nominal Diameter	170 mm (6.5 in)
Nominal Impedance	8 $\Omega$
Minimum Impedance LF	6.5 $\Omega$
Minimum Impedance HF	7.0 $\Omega$
Frequency Range	85 - 18000 Hz
Dispersion Angle <sup>1</sup>	70 °
Magnet Material	Ceramic (LF) - Neodym. Ring (HF)

## PARAMETERS

Resonance Frequency	85 Hz
Re	5.5 $\Omega$
Qes	0.4
Qms	7.8
Qts	0.37
Vas	5.0 dm <sup>3</sup> (0.18 ft <sup>3</sup> )
Sd	132.0 cm <sup>2</sup> (20.5 in <sup>2</sup> )
$\eta_o$	0.83 %
Xmax	5.0 mm
Xvar	5.7 mm
Mms	16.0 g
Bl	11.3 Txm
Le	1.0 mH
EBP	212 Hz

## SPECIFICATIONS LF UNIT

LF Sensitivity <sup>2</sup>	93.0 dB
LF Nominal Power Handling <sup>3</sup>	150 W
LF Continuous Power Handling <sup>4</sup>	300 W
LF Voice Coil Diameter	51 mm (2.0 in)
LF Winding Material	Copper
LF Flux Density	1.05 T
Former Material	Kapton
Winding Depth	13.0 mm (0.51 in)
Magnetic Gap Depth	6.0 mm (0.24 in)

## MOUNTING AND SHIPPING INFO

Overall Diameter	187 mm (7.4 in)
Bolt Circle Diameter	172 mm (6.7 in)
Baffle Cutout Diameter	146 mm (5.75 in)
Depth	122 mm (4.8 in)
Flange and Gasket Thickness	12 mm (0.47 in)
Net Weight	2.7 kg (5.9 lb)
Shipping Units	1
Shipping Weight	3.15 kg (6.94 lb)
Shipping Box	255x255x150 mm (10.04x10.04x5.91 in)

## SPECIFICATIONS HF UNIT

HF Sensitivity <sup>5</sup>	108.5 dB
HF Nominal Power Handling <sup>6</sup>	10 W
HF Continuous Power Handling <sup>7</sup>	20 W
HF Voice Coil Diameter	25 mm (1.0 in)
HF Winding Material	Aluminium
HF Flux Density	1.65 T
Diaphragm Material	Polyester
Recommended Crossover <sup>8</sup>	2.5 kHz
Inductance	0.1 mH

## SERVICE KIT

Service Kit LF	RCK06FHX518
Replacement diaphragm	MMDDE58

- Included by -6 dB down points.
- Applied RMS Voltage is set to 2.83V.
- 2 hours test made with continuous pink noise signal within the range Fs-10Fs. Power calculated on rated nominal impedance. Loudspeaker in free air.
- Power on Continuous Program is defined as 3 dB greater than the Nominal rating.
- Applied RMS Voltage is set to 2.83V.
- 2 hour test made with continuous pink noise signal within the range from the recommended crossover frequency to 20 kHz. Power calculated on rated nominal impedance. Loudspeaker in free air.
- Power on Continuous Program is defined as 3 dB greater than the Nominal rating.
- 12 dB/oct. or higher slope high-pass filter.

**B&C Speakers s.p.a.**

Via Poggiomoro, 1 - Loc. Vallina, 50012 Bagno a Ripoli (FI) - ITALY - Tel. +39 055 65721 - Fax +39 055 6572312 - mail@bcspeakers.com