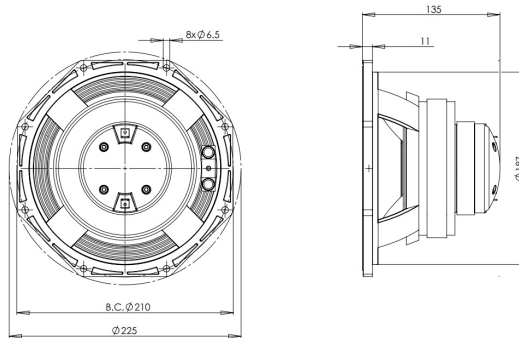


8CX21

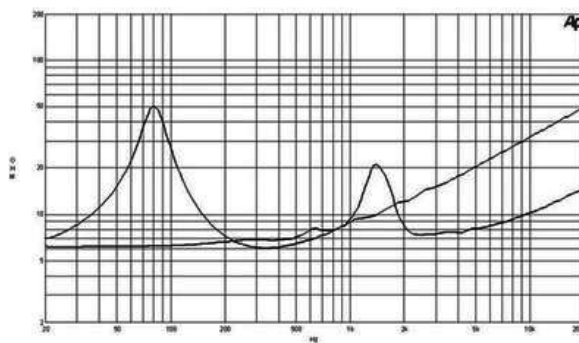
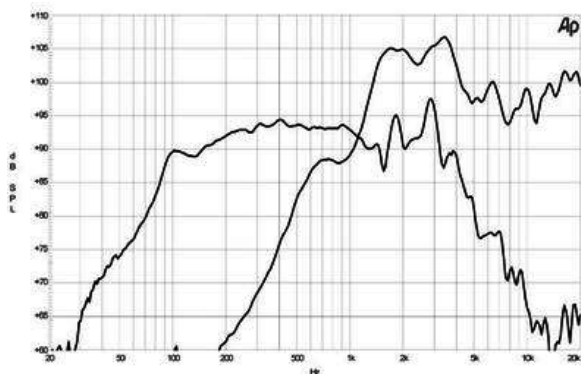
8Ω**Coaxials - 8.0 Inches**

- 400 W continuous program power capacity
- 100° nominal coverage
- 75 - 20000 Hz response
- 94 dB sensitivity
- 34.5 mm (1.35") HF unit exit diameter
- XO-1 dedicated crossover network



8CX21

Coaxials- 8.0 Inches



SPECIFICATIONS

Nominal Diameter	210 mm (8.0 in)
Nominal Impedance	8 Ω
Minimum Impedance LF	6.1 Ω
Minimum Impedance HF	7.2 Ω
Frequency Range	75 - 20000 Hz
Dispersion Angle ¹	100 °
Magnet Material	Ceramic

PARAMETERS

Resonance Frequency	74 Hz
Re	5.2 Ω
Qes	0.39
Qms	4.1
Qts	0.36
Vas	15.0 dm ³ (0.55 ft ³)
Sd	220.0 cm ² (34.1 in ²)
η_o	1.5 %
Xmax	5.0 mm
Xvar	5.5 mm
Mms	21.0 g
Bl	11.5 Txm
Le	1.2 mH
EBP	189 Hz

SERVICE KIT

Service Kit LF	RCK008CX218
Replacement diaphragm	MMD0128

SPECIFICATIONS LF UNIT

LF Sensitivity ²	94.0 dB
LF Nominal Power Handling ³	200 W
LF Continuous Power Handling ⁴	400 W
LF Voice Coil Diameter	52 mm (2.0 in)
LF Winding Material	Copper
LF Flux Density	1.1 T
Former Material	Kapton
Winding Depth	16.0 mm (0.63 in)
Magnetic Gap Depth	8.0 mm (0.31 in)

MOUNTING AND SHIPPING INFO

Overall Diameter	225 mm (8.8 in)
Bolt Circle Diameter	210 mm (8.3 in)
Baffle Cutout Diameter	187 mm (7.4 in)
Depth	135 mm (5.3 in)
Flange and Gasket Thickness	11 mm (0.4 in)
Net Weight	4.0 kg (8.8 lb)
Shipping Units	1
Shipping Weight	4.6 kg (10.14 lb)
Shipping Box	295x314x175 mm (11.61x12.36x6.89 in)

SPECIFICATIONS HF UNIT

HF Sensitivity ⁵	101.0 dB
HF Nominal Power Handling ⁶	25 W
HF Continuous Power Handling ⁷	50 W
HF Voice Coil Diameter	36 mm (1.4 in)
HF Winding Material	Aluminium
HF Flux Density	1.45 T
Diaphragm Material	Polyester
Recommended Crossover ⁸	2.2 kHz
Inductance	0.14 mH

CROSSOVER

Model	XO-1
Filter Type	Two way
Nominal Impedance	8.0 Ω
Low-pass Slope	12.0 dB/oct
High-pass Slope	12.0 dB/oct
Overall Dimensions	107x96 mm (4.2x3.8 in)
Weight	0.4 kg (0.9 lb)

- Included by -6 dB down points.
- Applied RMS Voltage is set to 2.83V.
- 2 hours test made with continuous pink noise signal within the range Fs-10Fs. Power calculated on rated nominal impedance. Loudspeaker in free air.
- Power on Continuous Program is defined as 3 dB greater than the Nominal rating.
- Applied RMS Voltage is set to 2.83V.
- 2 hour test made with continuous pink noise signal within the range from the recommended crossover frequency to 20 kHz. Power calculated on rated nominal impedance. Loudspeaker in free air.
- Power on Continuous Program is defined as 3 dB greater than the Nominal rating.
- 12 dB/oct. or higher slope high-pass filter.

B&C Speakers s.p.a.

Via Poggiomoro, 1 - Loc. Vallina, 50012 Bagno a Ripoli (FI) - ITALY - Tel. +39 055 65721 - Fax +39 055 6572312 - mail@bcspeakers.com