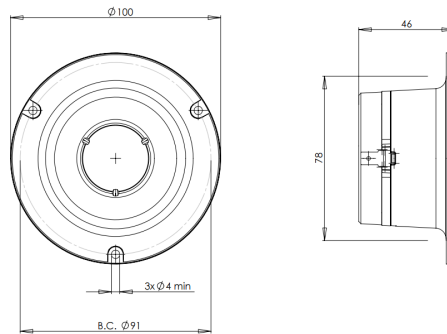
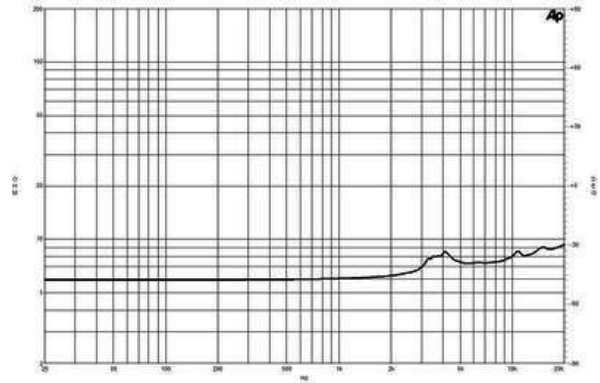
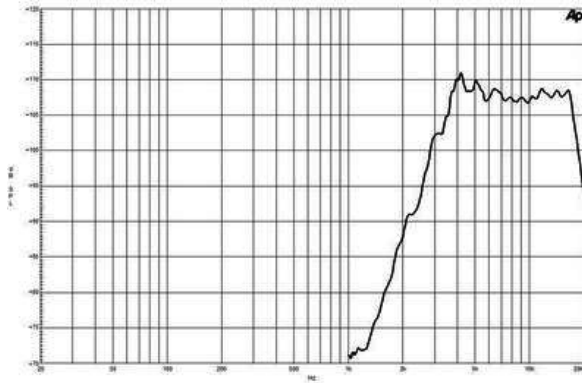


DE35

8Ω**Tweeters - 1.25 Inches**

- 50 W continuous program power capacity
- 3500 - 18000 Hz response
- 108 dB sensitivity
- Neodymium magnet assembly



SPECIFICATIONS

Nominal Impedance	8 Ω
Minimum Impedance	7.0 Ω
Nominal Power Handling ¹	25 W
Continuous Power Handling ²	50 W
Sensitivity ³	108.0 dB
Frequency Range	4.0 - 18.0 kHz
Recommended Crossover ⁴	5.0 kHz
Voice Coil Diameter	32 mm (1.25 in)
Winding Material	Aluminium
Inductance	0.1 mH
Diaphragm Material	Mylar
Flux Density	1.3 T
Magnet Material	Neodymium Inside Slug

MOUNTING AND SHIPPING INFO

Three M4 holes 120° on 91 mm (3.6 in) diameter	
Overall Diameter	100 mm (4.0 in)
Depth	46 mm (1.8 in)
Net Weight	0.7 kg (1.5 lb)
Shipping Units	8
Shipping Weight	6.25 kg (13.78 lb)
Shipping Box	235x235x165 mm (9.25x9.25x6.50 in)

SERVICE KIT

MMD0358

1. 2 hour test made with continuous pink noise signal within the range from the recommended crossover frequency to 20 kHz. Power calculated on rated nominal impedance.
2. Power on Continuous Program is defined as 3 dB greater than the Nominal rating.
3. Applied RMS Voltage is set to 2.83 V for 8 ohms Nominal Impedance.
4. 12 dB/oct. or higher slope high-pass filter.