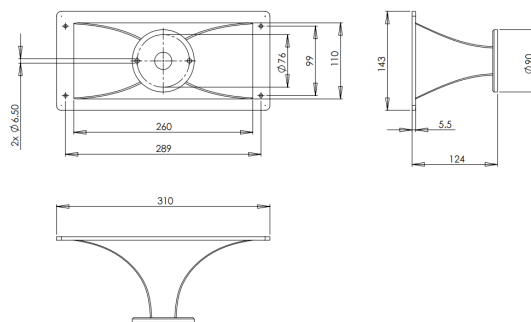
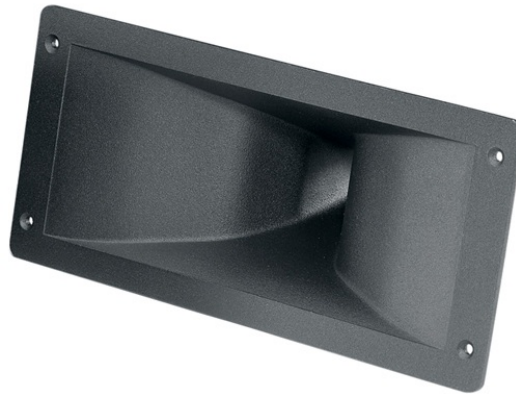


ME45

0Ω

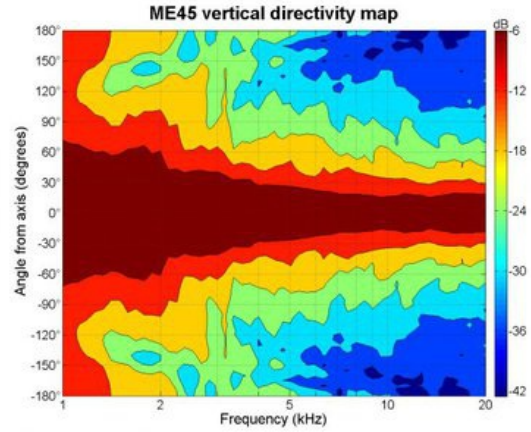
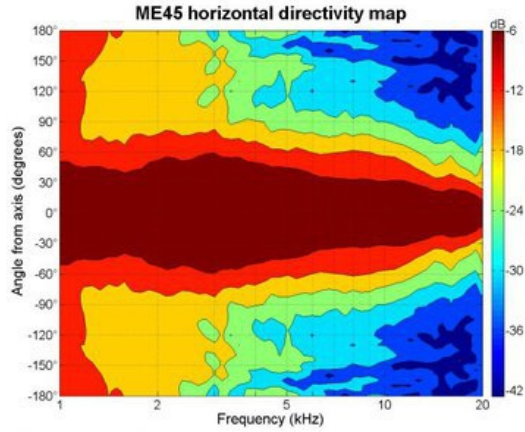
Horns - 1.0 Inches



- 1" throat entry
- 90° x 40° nominal coverage
- Exponential flare
- Very good loading down to 1 kHz

ME45

Horns- 1.0 Inches



SPECIFICATIONS¹

| | |
|-----------------------------|----------------------------------|
| Throat Diameter | 25 mm (1.0 in) |
| Nominal Coverage Horizontal | 90 ° |
| Nominal Coverage Vertical | 40 ° |
| Cutoff Frequency | 1.0 kHz |
| Material | Cast Aluminium |
| Dimensions | 310x140x124 mm (12.2x5.6x4.9 in) |

MOUNTING AND SHIPPING INFO

| | |
|-------------------------|-----------------------------------|
| Baffle Cutout Dimension | 260x110 mm (10.2x4.3 in) |
| Net Weight | 0.8 kg (1.8 lb) |
| Shipping Units | 4 |
| Shipping Weight | 4.9 kg (10.8 lb) |
| Shipping Box | 540x350x185 mm (21.2x13.8x7.3 in) |

1. Horn mounted on B&C DE 25 compression driver.