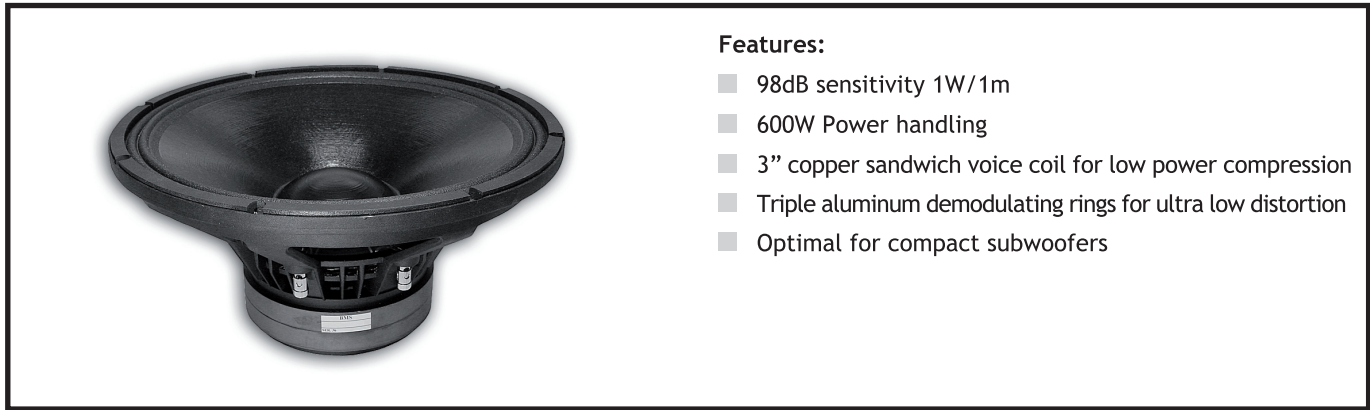


15S330

Ultra Low Distortion Woofer

Ultra low distortion series

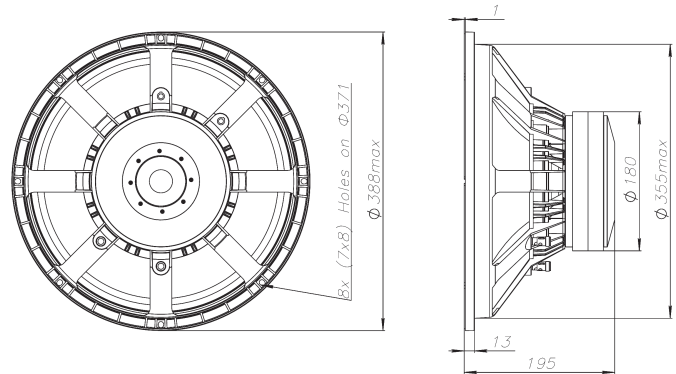


Features:

- 98dB sensitivity 1W/1m
- 600W Power handling
- 3" copper sandwich voice coil for low power compression
- Triple aluminum demodulating rings for ultra low distortion
- Optimal for compact subwoofers

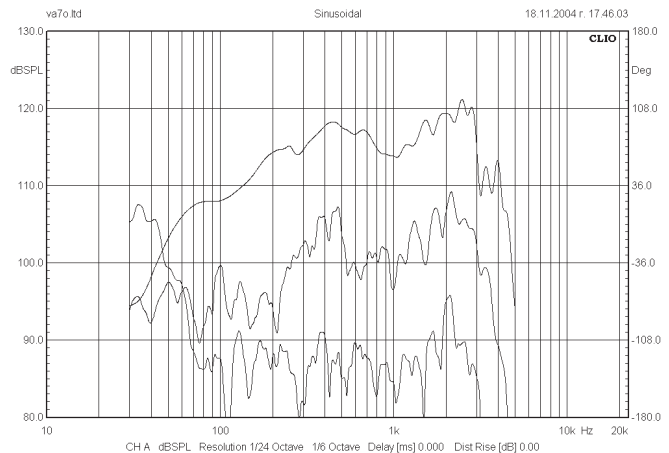
SPECIFICATIONS

APPLICATION	Subwoofer	
Nominal impedance	Ohm	8
Power handling AES noise	W	600
Sensitivity (1W/1m)	dB	98
Frequency response	Hz	35 - 2500
Voice coil diameter	mm	77 (3")
Voice coil material	Cu	
Voice coil winding depth	mm	26
Magnet gap depth	mm	10
Basket		Cast Aluminum
Effect. diaphragm diameter D	mm	335



THIELE - SMALL PARAMETERS			
Resonance frequency	Fs	Hz	39
DC resistance	Re	Ohm	6
Mechanical Q factor	Qms		6.6
Electrical Q factor	Qes		0.34
Total Quality factor	Qts		0.32
Equivalent volume	Vas	L	152
Moving mass	Mms	kg	0.115
Mechanical compl.	Cms	mm/N	0.14
BL factor	BL	Tesla m	23
Effective piston area	Sd	m ²	0.0880
Max. linear excursion	Xmax	mm	± 8
Voice coil inductance	Le1k	mH	0.72
	Le10k	mH	0.45

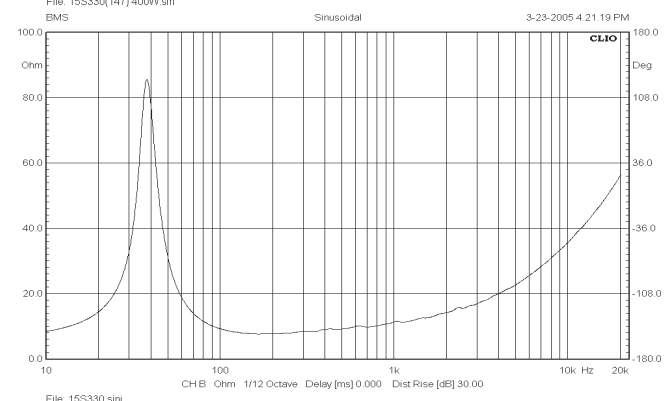
Frequency response measured 100W (28.3V) at 1m in a closed enclosure of 100 litre in an anechoic chamber incl. 2nd and 3rd harmonic distortion raised 20dB.



MOUNTING INFORMATION		
Overall diameter	mm	388
Mounting holes diameter	mm	8 x (7 x 8)
Bolt circle diameter	mm	371
Baffle cut-out diameter	mm	358
Overall depth	mm	195
Net weight	kg	9.6

Recommended reflex enclosure:

80L/45Hz, -3dB=49Hz, BRD=140mm/175mm long



Cone Drivers