

18N862

18" Neodymium Ultra low Distortion Woofer

Neodymium Series



Features:

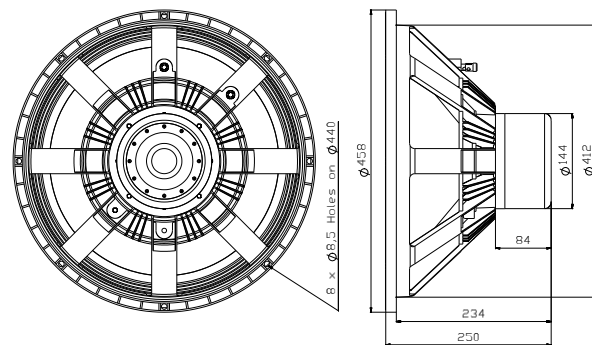
- 95 dB Sensitivity 1 W / 1 m
- 1500 W Power handling
- 4" copper sandwich voice coil for low power compression
- Neodymium magnet system
- Double treated cone for water protection
- Triple aluminum demodulating rings for ultra low distortion
- Light Weight Carbon Fiber Diaphragm
- Optimal for high output Subwoofers

SPECIFICATIONS

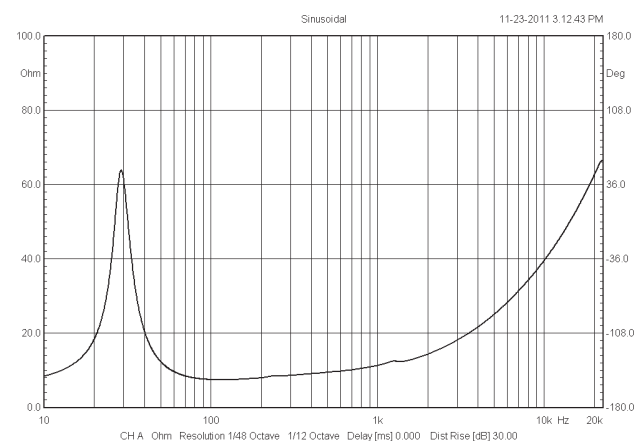
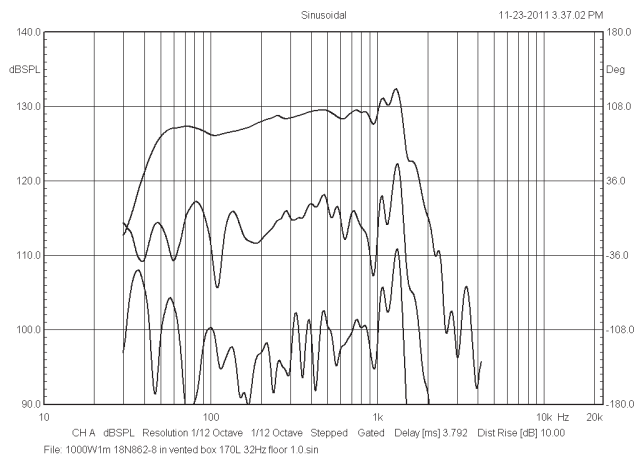
APPLICATION	Infra-Subwoofer	
Nominal Impedance	Ohm	4 or 8
Power handling AES noise	W	1500
Sensitivity (1 W / 1 m)	dB	95
Frequency response	Hz	20 - 200
Voice Coil Diameter	mm	101.6 (4")
Voice Coil Material		Cu
Voice Coil Winding Depth	mm	50
Magnet Gap Depth	mm	12
Basket		Aluminum
Effect. diaphragm diameter D	mm	394

THIELE-SMALL PARAMETERS			
Resonance Frequency	Fs	Hz	25.1
DC Resistance	Re	Ohm	5.56
Mechanical Q Factor	Qms		6.75
Electrical Q Factor	Qes		0.36
Total Quality Factor	Qts		0.34
Equivalent Volume	Vas	L	312
Moving Mass	Mms	kg	0.267
Mechanical Compliance	Cms	mm / N	0.15
BL Factor	BL	Tesla m	25.52
Effective Piston Area	Sd	m ²	0.1219
Max. linear Excursion	Xmax	mm	+/- 19
Voice Coil Inductance	Le1k	mH	0.81
	Le10k	mH	0.5

MOUNTING INFORMATION		
Overall Diameter	mm	458
Mounting Holes Diameter	mm	8 x 8.5
Bolt Circle Diameter	mm	440
Baffle cut-out Diameter	mm	412
Overall depth	mm	250
Net Weight	kg	10.5



Frequency response measured 1000 W (89.4 V) at 1 m in a vented enclosure of 170 liter tuned 32 Hz incl. 2nd and 3rd harmonic distortion raised 10 dB.



Recommended reflex enclosure:

153 L / 28,5 Hz, BRD = 200 mm / 601 mm long

Closed enclosure 100 L, -3 dB = 50Hz