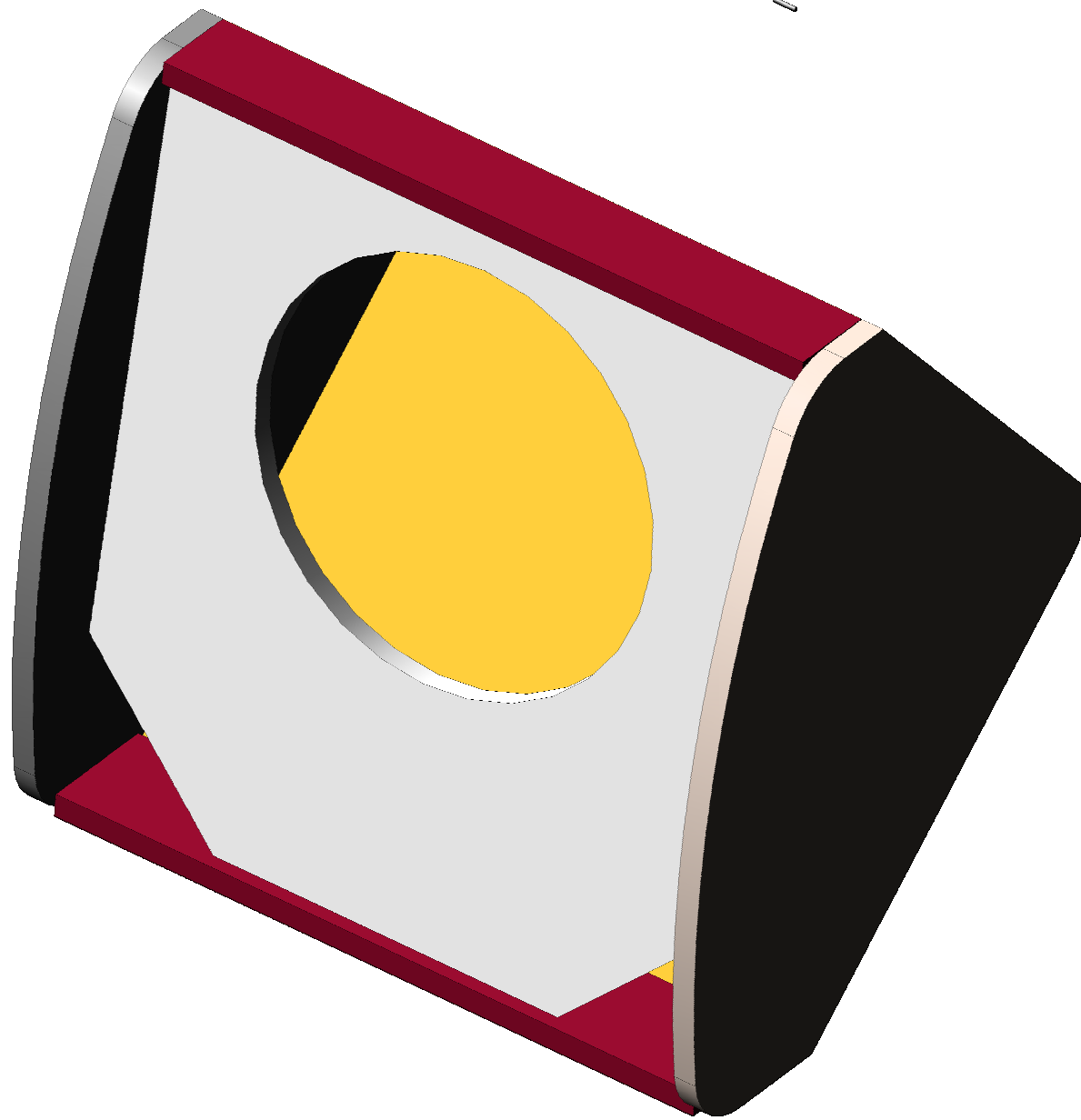




# MC122AN

B&C Component Options  
12HCX76 8 ohm

[www.bcspeakers.com](http://www.bcspeakers.com)

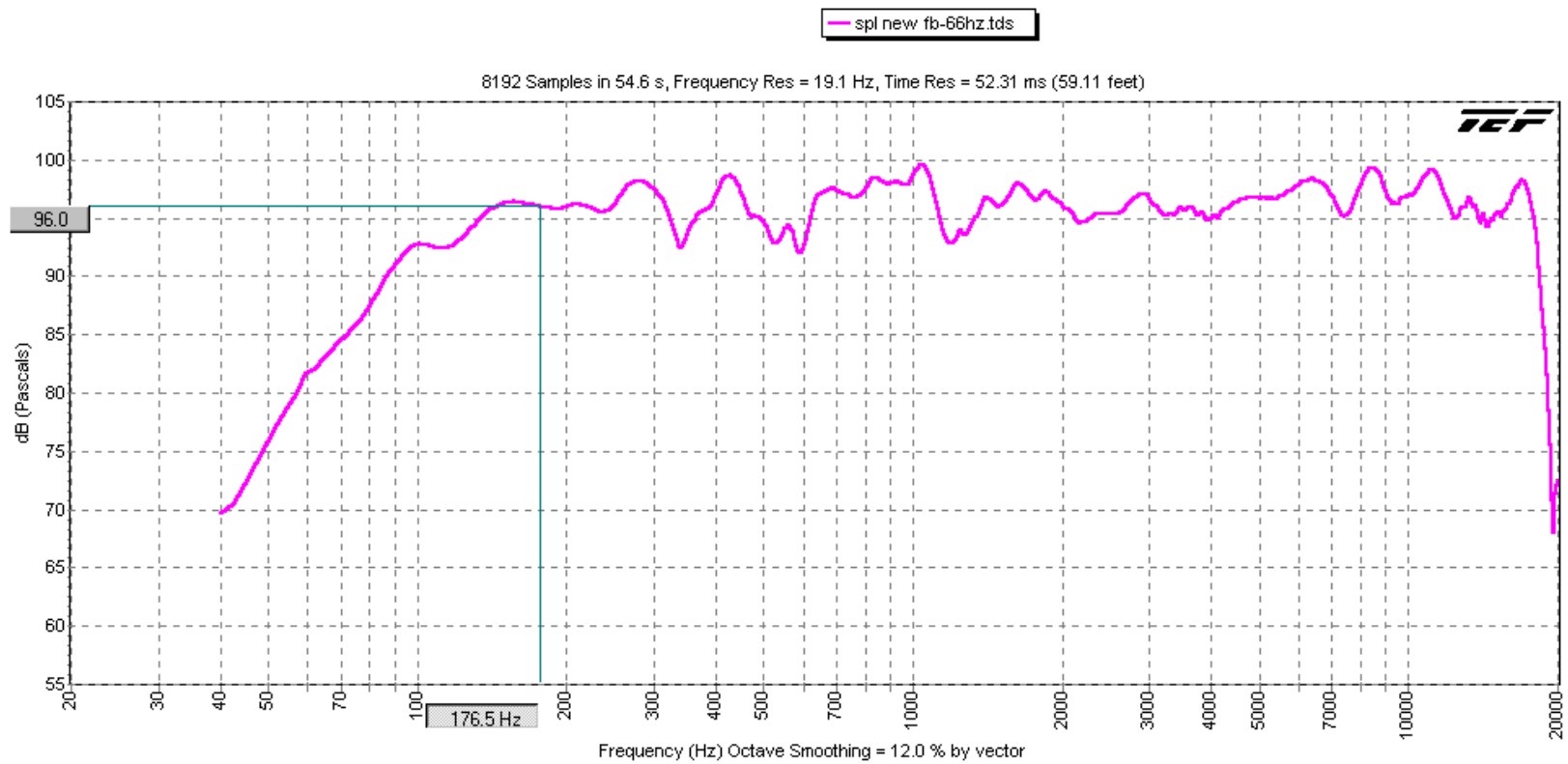


MC122AN

Material 15mm Birch Plywood

spl new fb-66hz  
11/17/09 5:16:35 AM livingroom

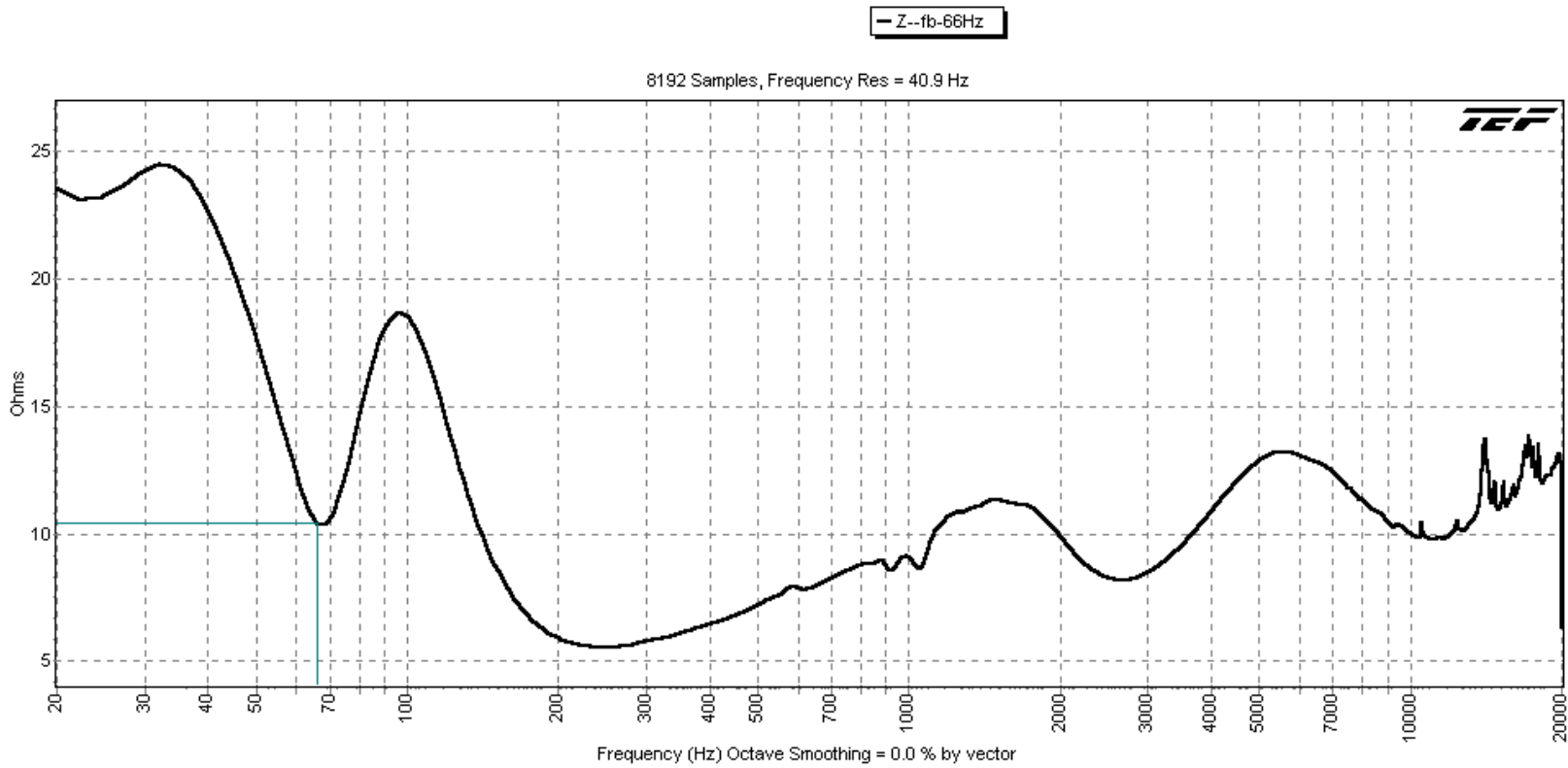
Cursor = 96.0 dB at 176.5 Hz

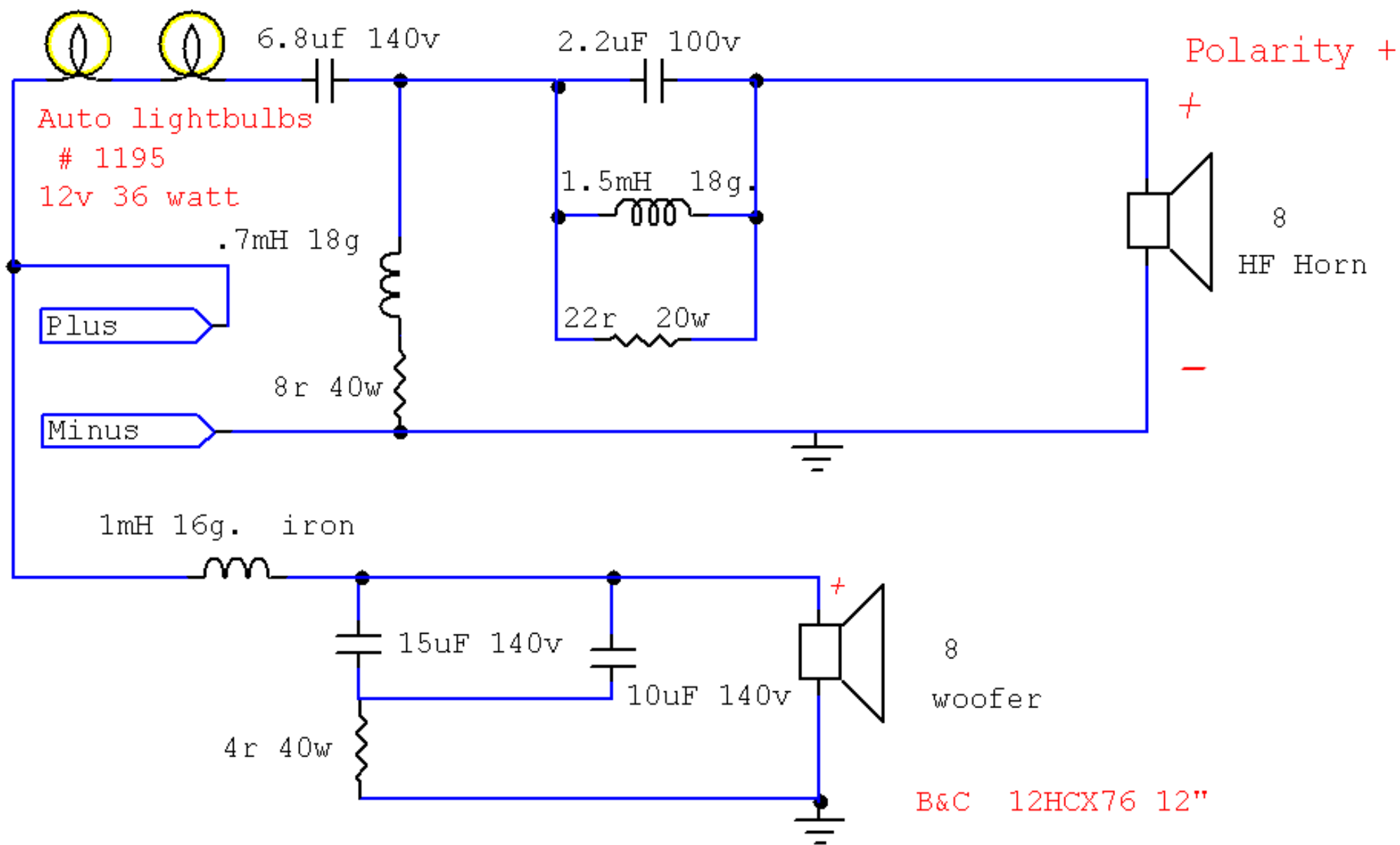


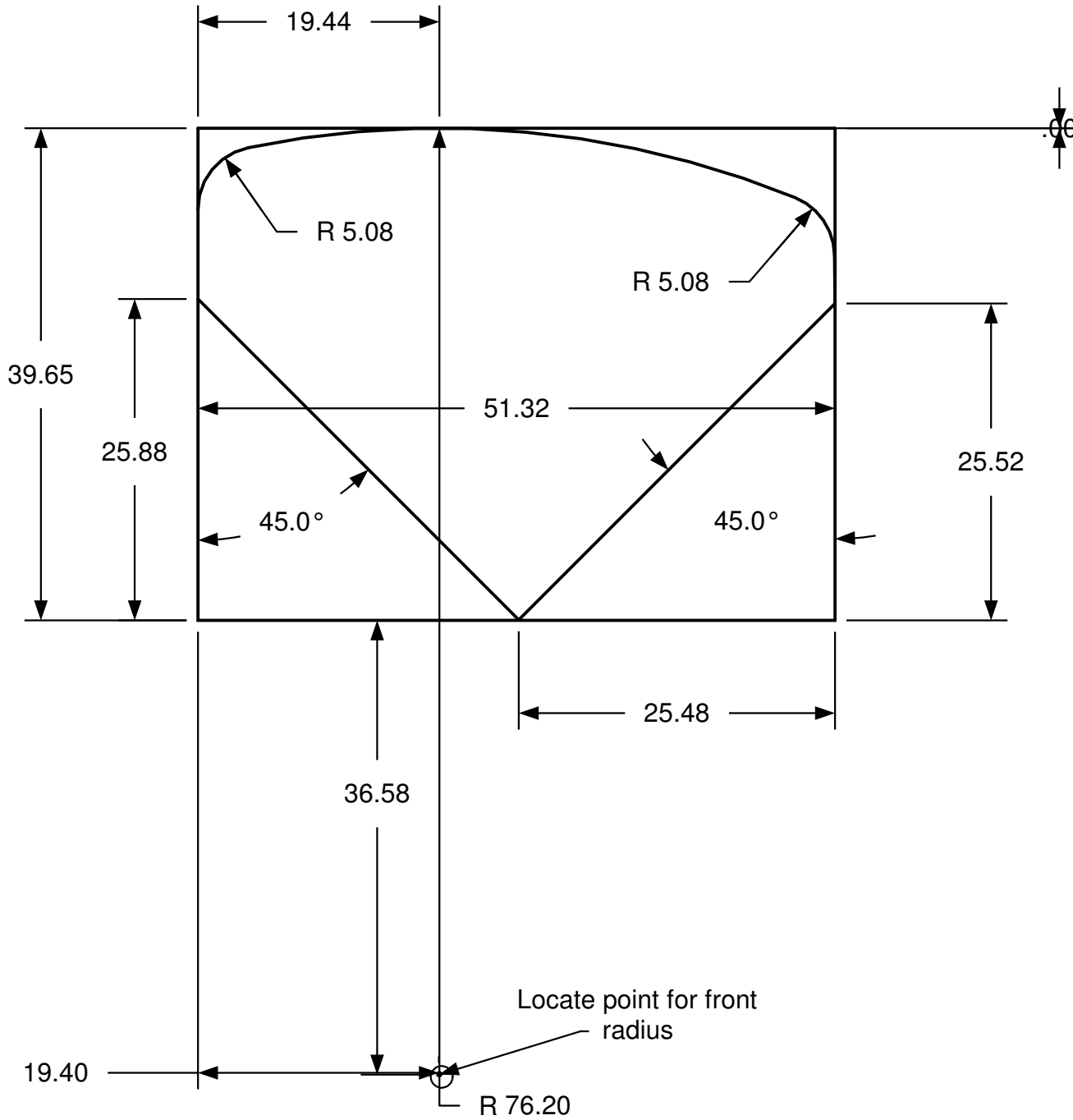
Z--fb-66Hz

livingroom 11/17/09 5:09:00 AM

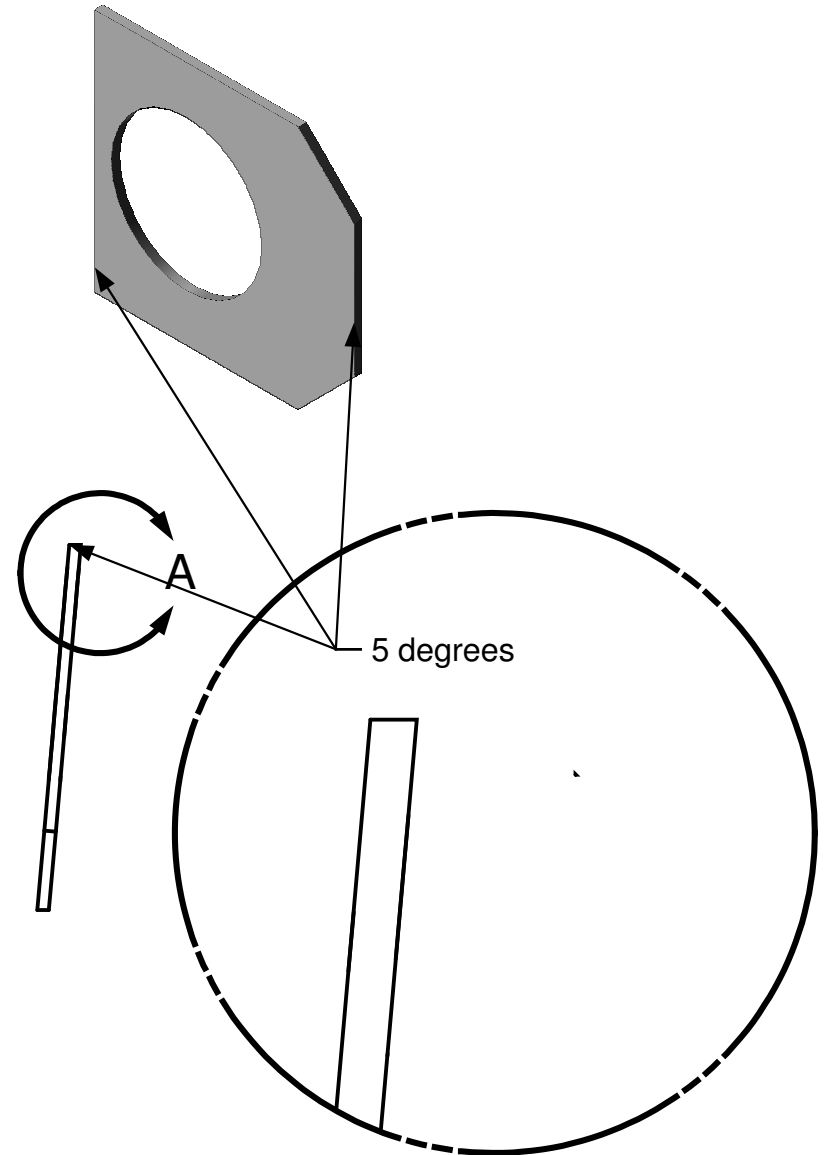
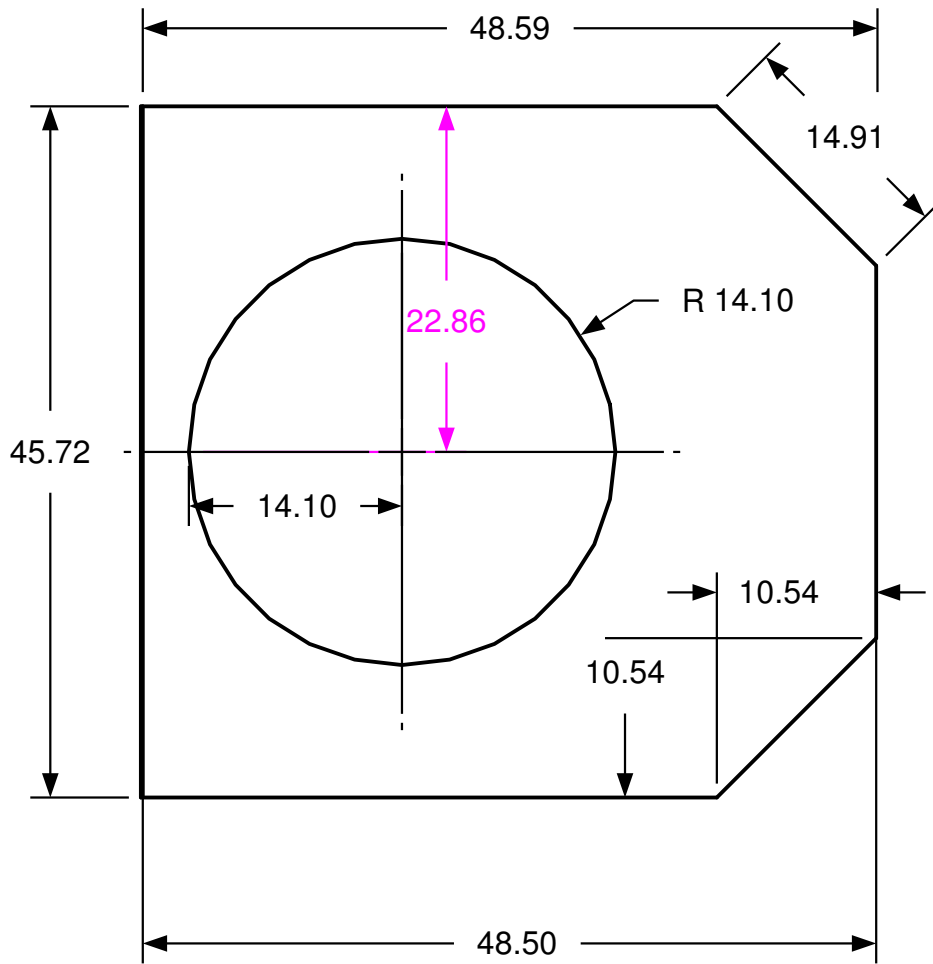
Cursor = 10.4 Ohms at 66.1 Hz ( degs)



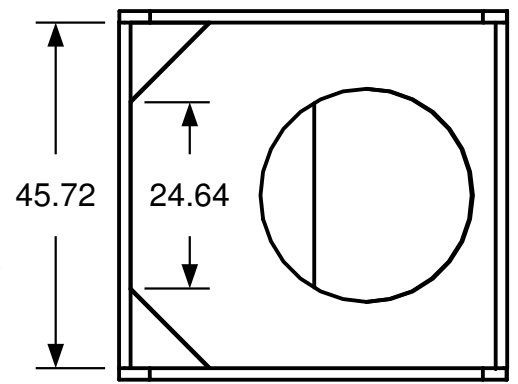
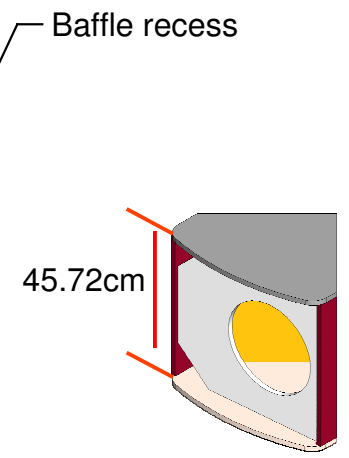
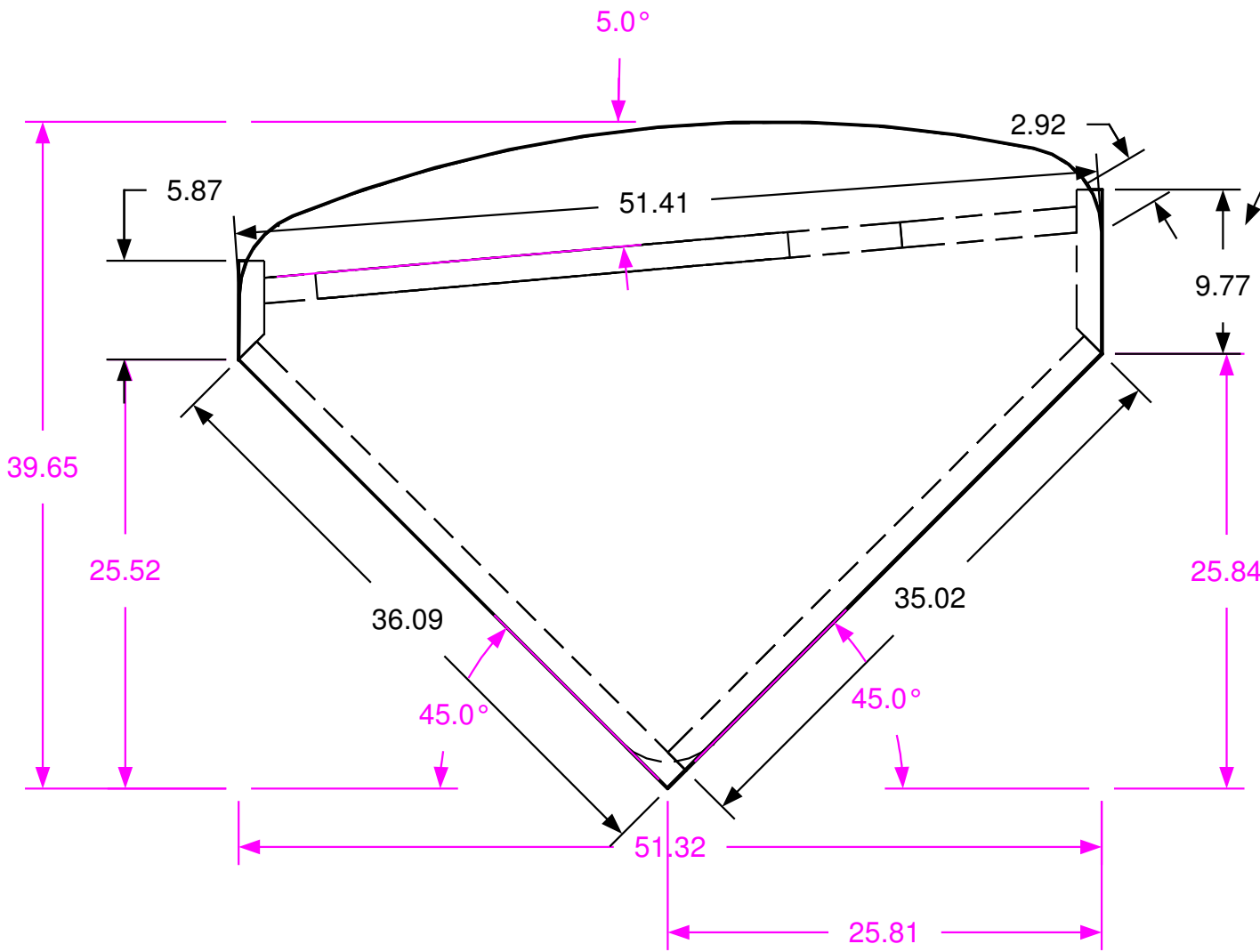




MC122AN TOP
Material 15mm Birch Plywood



MC122AN BAFFLE
Material 15mm Birch Plywood



ALL INTERNAL PARTS 45.72 CM HIGH

MC122AN INTERNALPARTS
Material 15mm Birch Plywood